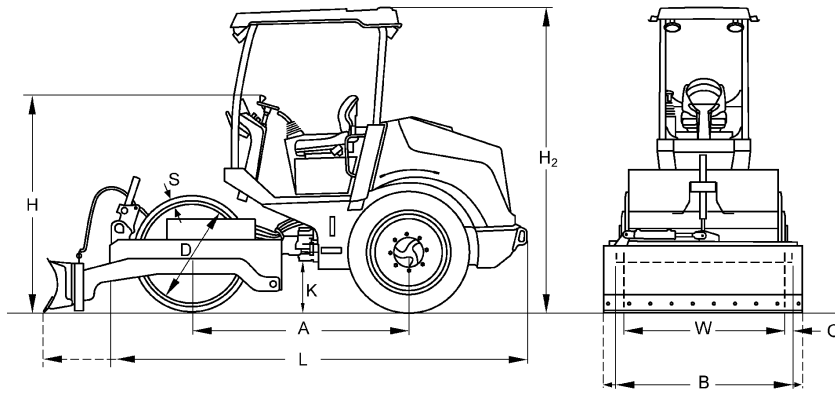


TECHNICAL DATA

SINGLE DRUM ROLLERS

BW 124 DH-5, BW 124 PDH-5





Dimensions in mm

	A	B	D	H	H₂	K	L	O	S	W
BW 124 DH-5	1815	1310	960	1850	2520	320	3520	55	15	1200
BW 124 PDH-5	1815	1310	920	1850	2520	320	3520	55	15	1200

Shipping dimensions in m3

BW 124 DH-5
BW 124 PDH-5

without ROPS

8,531
8,531

with ROPS

11,620
11,620

Machine type	Compaction output (m3/h)			
	Rock fill	Gravel, sand	Mixed soil	Silt, clay
BW 124 DH-5	-	105-210	75-150	40-90
BW 124 PDH-5	-	105-210	75-150	50-100

Machine type	Compacted layer thickness (m)			
	Rock fill	Gravel, sand	Mixed soil	Silt, clay
BW 124 DH-5	-	0,35	0,25	0,15
BW 124 PDH-5	-	0,35	0,25	0,20

Technical Data**BOMAG
BW 124 DH-5****BOMAG
BW 124 PDH-5****Weights**

Grossweight	kg	3.950	4.000
Operating weight CECE	kg	3.300	3.390
Axle load, drum / wheels CECE	kg	1.580/1.730	1.600/1.790
Static linear load CECE	kg/cm	13,2	

Dimensions

Working width	mm	1.200	1.200
Track radius, inner	mm	2.260	2.260

Driving Characteristics

Speed	km/h	0- 9,0	0- 9,0
Max. gradeability without/with vibr.	%	55/55	55/55

Drive

Engine manufacturer		Kubota	Kubota
Type		V2403	V2403
Emission stage		Stage V / TIER4f	Stage V / TIER4f
Exhaust gas aftertreatment		DPF	DPF
Cooling		water	water
Number of cylinders		4	4
Performance ISO 3046	kW	34,0	34,0
Performance SAE J 1995	hp	46,0	46,0
Speed	min-1	2.400	2.400
Fuel		Diesel	Diesel
Electric equipment	V	12	12
Drive system		hydrost.	hydrost.
Drum driven		standard	standard

Drums and Tyres

Tyre size		9.5-24 4PR	9.5-24 4PR
-----------------	--	------------	------------

Brakes

Service brake		hydrost.	hydrost.
Parking brake		hydromec.	hydromec.

Steering

Steering system		oscil.artic.	oscil.artic.
Steering method		hydrost.	hydrost.
Steering / oscillating angle +/-	grad	35/12	35/12

Exciter system

Drive system		hydrost.	hydrost.
Frequency	Hz	41	41
Amplitude	mm	1,70/0,85	1,60
Centrifugal force	kN	85/43	85

Capacities

Fuel	l	60,0	60,0
------------	---	------	------

Technical modifications reserved. Machines may be shown with options.

Standard Equipment

- Hydrostatic travel and vibration drive
- Double pump system for travel drive
- 2 Spring accumulator brakes
- Self locking differential
- Hydrostatic articulated steering
- Contact scrapers
- Operating/Control Equipment
 - Hour meter
 - Charge control
 - Parking brake
 - Engine oil pressure
 - Engine temperature
 - air cleaner pollution
 - Fuel level indicator
- Warning horn
- Transport lashing and lifting points front/rear
- Lockable anti vandal dashboard protection
- Back-up alarm
- Emergency stop button
- ROPS/FOPS with safety belt
- Working lights
- Seat contact switch
- Rear windscreen
- Battery disconnect switch

Optional Equipment

- Dozer blade (+350kg/772lb)
- Dozer blade (Pre-installation)
- Dozer blade with tilting mechanism (+440kg/970lb)
- Special painting
- Rotary beacon
- ECONOMIZER
- TELEMATIC
- Working lights
- Comfort package
- Smooth drum shell

